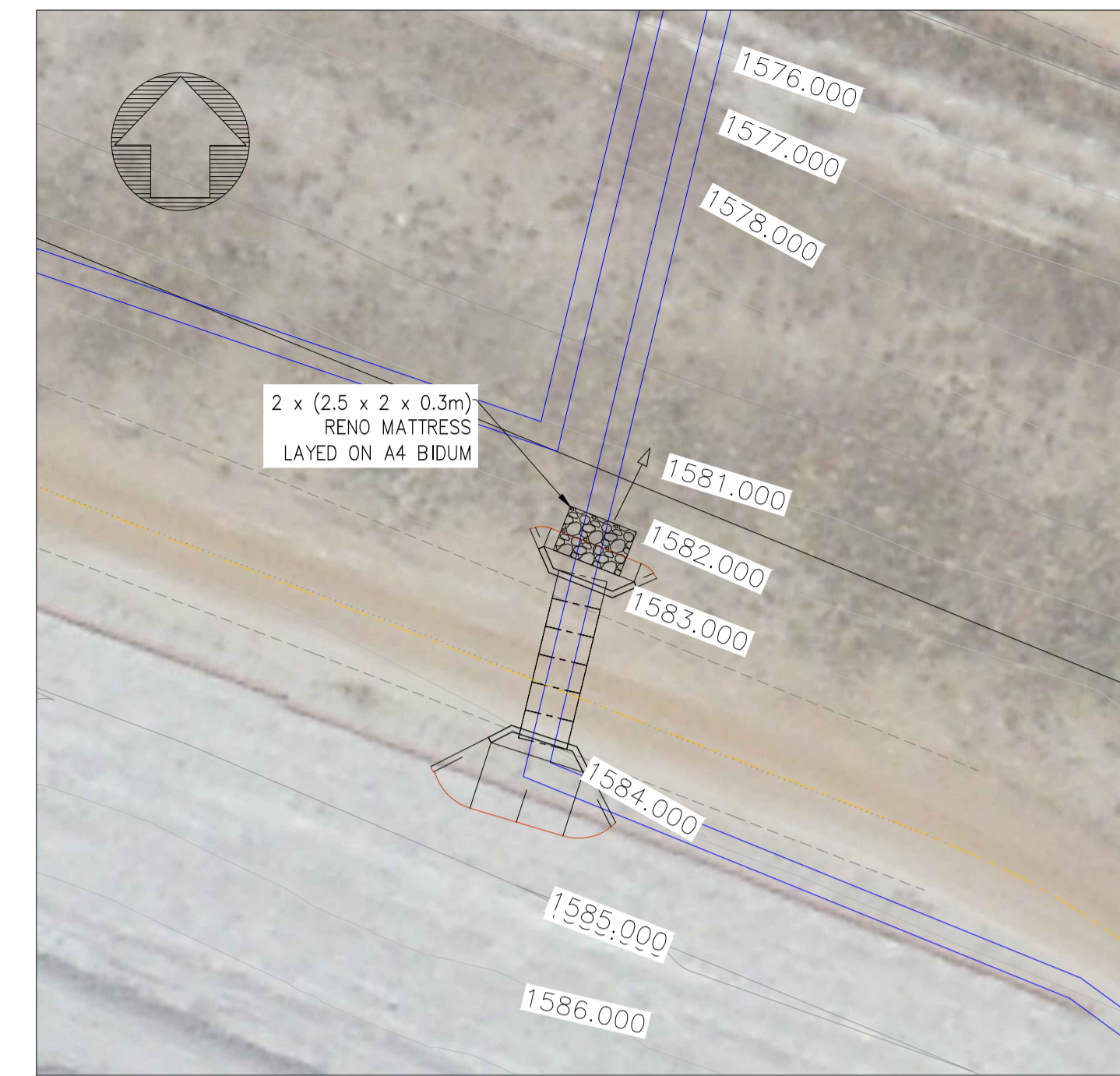
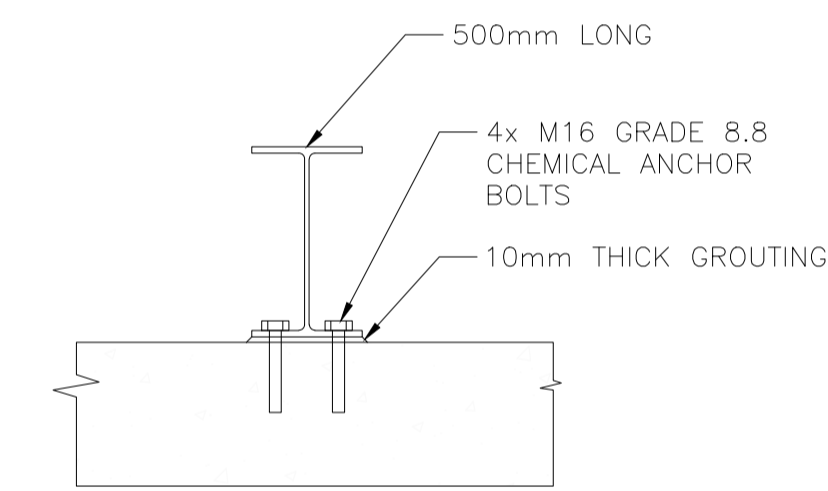




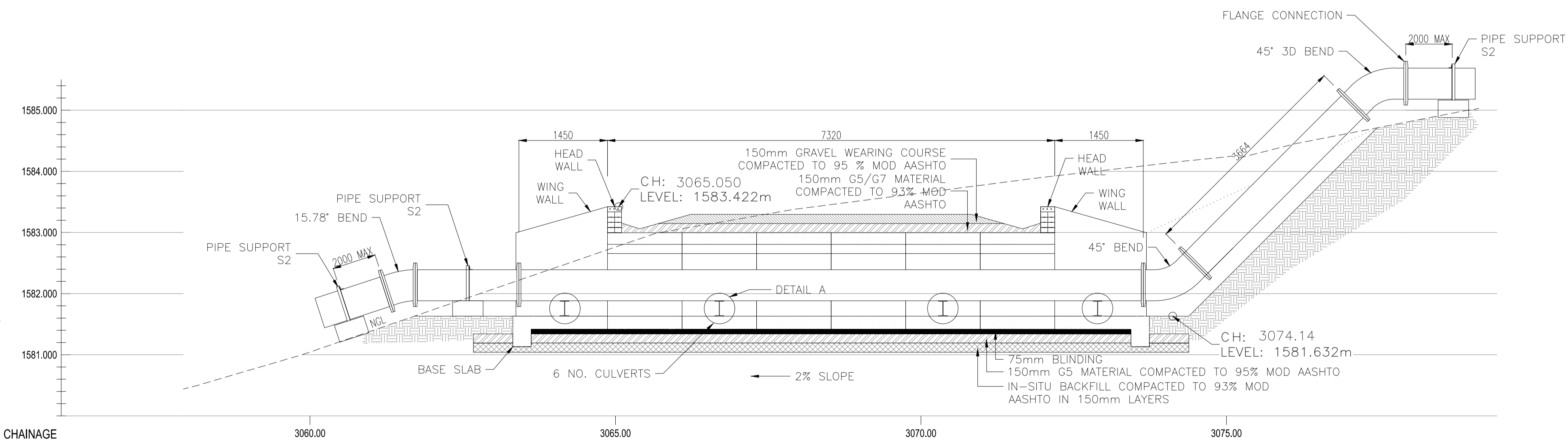
ROAD CROSSING: RC8 PLAN VIEW  
SCALE 1:100



ROAD CROSSING: RC8 DAYLIGHTING  
SCALE 1:250



DETAIL A  
SCALE 1:10



ROAD CROSSING 8  
SCALES:  
Horizontal 1:50  
Vertical 1:50

EPCM BONISANA (PTY) LTD  
THIS DRAWING TAKES INTO ACCOUNT THE PARTICULAR INSTRUCTIONS AND REQUIREMENTS OF OUR CLIENT.  
IT IS NOT INTENDED FOR AND SHOULD NOT BE RELIED UPON BY ANY THIRD PARTY AND NO RESPONSIBILITY IS UNDERTAKEN TO ANY THIRD PARTY

- NOTES:
- COORDINATE SYSTEM: WGS 84 TRANSVERSE MERCATOR, Lo 29, DATUM: HARTEBEESHOEK 94.
  - REFER TO LONG SECTIONS FOR LOCATION OF CROSSINGS.
  - PORTAL CULVERTS TO RUN PARALLEL TO PIPE ROUTE.
  - REFER TO CULVERT DETAILS DRAWING No. 21084-KMDD-CE-DRD-056 FOR CULVERT AND HEAD/WING WALL DETAILS.
  - ALL BENDS TO BE 30 LONG RADIUS BENDS.
  - CROSSINGS TO BE INSTALLED NOT TO IMPEDE WITH NATURAL STORMWATER DRAINAGE OR APPROVED DIVERSIONS TO BE PROVIDED.
  - AREA ADJACENT TO CROSSING TO BE SLOPED AWAY FROM CULVERT OR SUITABLE BERM TO BE PROVIDED TO PREVENT STORMWATER ENTERING CULVERT.
  - TOPSOIL TO BE REMOVED FROM STORMWATER CHANNEL AREA PRIOR TO CONSTRUCTION TO 150mm DEPTH, TOPSOIL TO BE REINSTATED AFTER COMPLETION, WHERE OPEN CHANNELS ARE REQUIRED.
  - WHERE STORMWATER DRAIN SIDE SLOPES ARE UNSTABLE, SLOPES TO BE SUITABLY COMPACTED.
  - CULVERT BASE SLABS MAY BE PRECAST OR CAST INSITU.
  - FOR PIPE CULVERT, INLET, OUTLET AND SOIL EROSION REFER TO DRAWING :21084-KMDD-CE-DRD-065

- LEGEND:
- EXISTING ROAD EDGES
  - PIPE LINE CENTERLINES
  - STORMWATER DRAINAGE
  - NATURAL WATER COURSE

COORDINATES

POINT	Y	X
CUL8a	-18 893.369	2 908 038.255
CUL8b	-18 895.412	2 908 038.739
CUL8c	-18 893.713	2 908 045.856
CUL8d	-18 891.660	2 908 045.363



APPROVED FOR CONSTRUCTION



KRIEL TO MATLA ASH TRANSFER LINK

PROJECT No.:	21084	PAGE SIZE:	A1
CLIENT DRAWING No.:	0.45/61021-071	REV	

REFERENCE DRAWINGS	No.	REVISION	CAD.	BY	CHK.	APP.	DATE	NAME	SIGN	DATE	DISCIPLINE	SIGN	DATE	COMPANY APPROVAL	TITLE	DRAWING No.	REV
21084-KMDD-DAL-005															ROAD CROSSING LAYOUT	21084-KMDD-CE-DRD-057-08	1
21084-KMDD-CE-DRD-055-01															SLURRY EAST PIPELINE LONG SECTIONS 1/5		
21084-KMDD-CE-DRD-048-01															SLURRY WEST PIPELINE LONG SECTIONS 1/5		
21084-KMDD-CE-DRD-056															CULVERT DETAILS		
21084-KMDD-CE-DRD-065															PIPE CULVERT LONG SECTIONS AND DETAILS		
DWG No.																	

PROC. ENG.	C.P.
INSTR. ENG.	J.P.
ELECT. ENG.	J.P.
STRUC. ENG.	H.B.
CIVIL. ENG.	S.d.R.
MECH. ENG.	T.C.
PRÓJ. MAN.	S.d.R.

LOCATION:	KRIEL/MATLA POWER STATION, MPUMALANGA
SECTION:	CROSSING
TITLE:	ROAD CROSSING 8 PLAN AND SECTION DETAIL
DRAWING No.:	21084-KMDD-CE-DRD-057-08
REV	1