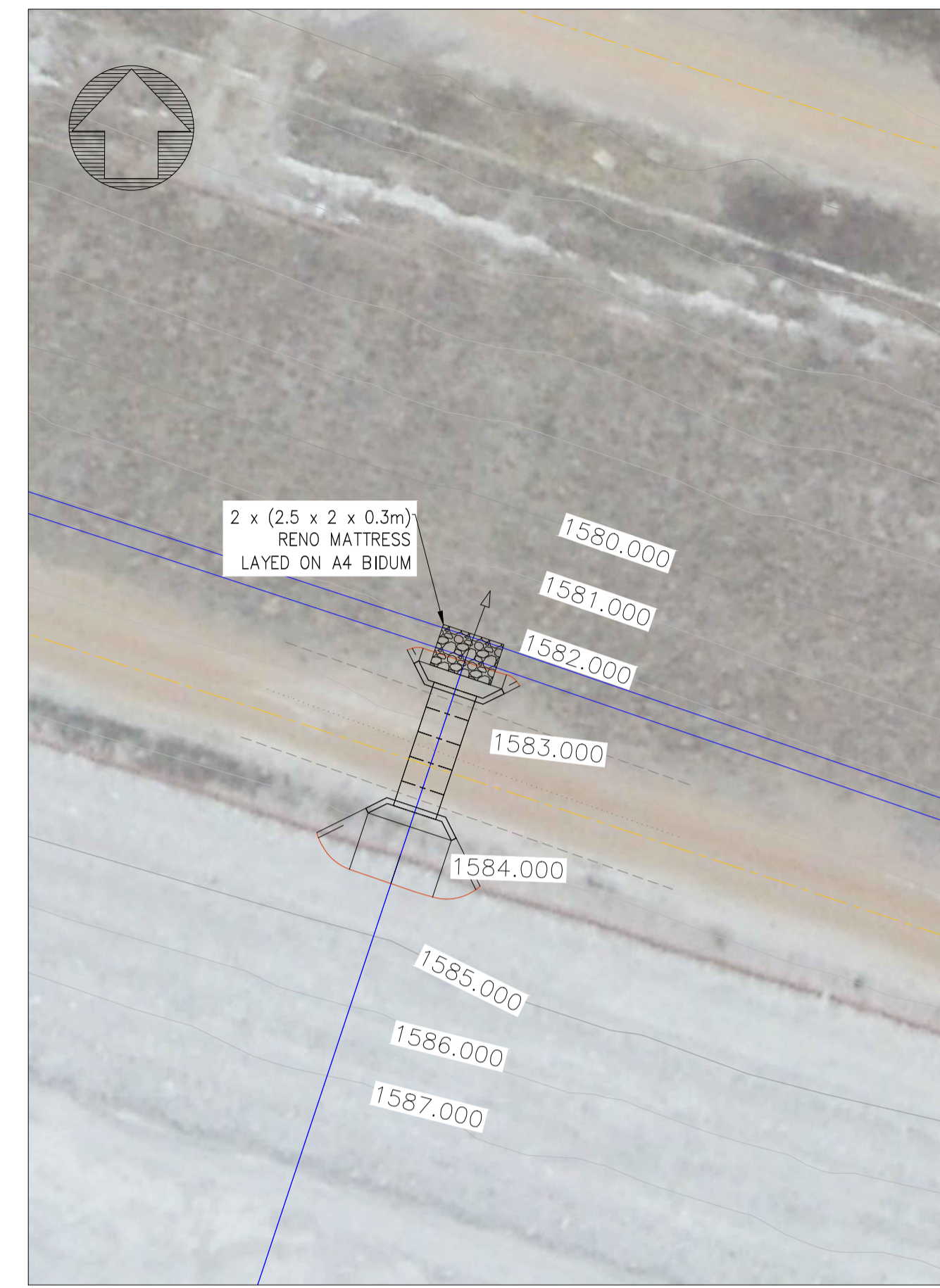


ROAD CROSSING: RC9 PLAN VIEW
CH 3250 SLURRY WEST ALIGNMENT (*NOTE 6)
SCALE 1:50



ROAD CROSSING: RC9 DAYLIGHTING
SCALE 1:250

EPCM BONISANA (PTY) LTD
THIS DRAWING TAKES INTO ACCOUNT THE PARTICULAR INSTRUCTIONS AND REQUIREMENTS OF OUR CLIENT.

IT IS NOT INTENDED FOR AND SHOULD NOT BE RELIED UPON BY ANY THIRD PARTY AND NO RESPONSIBILITY IS UNDERTAKEN TO ANY THIRD PARTY

- NOTES:
- COORDINATE SYSTEM: WGS 84 TRANSVERSE MERCATOR, L₀ 29, DATUM: HARTEBEESHOCK 94.
 - REFER TO LONG SECTIONS FOR LOCATION OF CROSSINGS.
 - PORTAL CULVERTS TO RUN PARALLEL TO PIPE ROUTE.
 - REFER TO CULVERT DETAILS DRAWING No. 21084-KMDD-CE-DRD-056 FOR CULVERT AND HEAD/WING WALL DETAILS.
 - ALL BENDS TO BE 30 LONG RADIUS BENDS.
 - CROSSINGS TO BE INSTALLED NOT TO IMPEDE WITH NATURAL STORMWATER DRAINAGE OR APPROVED DIVERSIONS TO BE PROVIDED.
 - AREA ADJACENT TO CROSSING TO BE SLOPED AWAY FROM CULVERT OR SUITABLE BERM TO BE PROVIDED TO PREVENT STORMWATER ENTERING CULVERT.
 - TOPSOIL TO BE REMOVED FROM STORMWATER CHANNEL AREA PRIOR TO CONSTRUCTION TO 150mm DEPTH, TOPSOIL TO BE REINSTATED AFTER COMPLETION, WHERE OPEN CHANNELS ARE REQUIRED.
 - WHERE STORMWATER DRAIN SIDE SLOPES ARE UNSTABLE, SLOPES TO BE SUITABLY COMPACTED.
 - CULVERT BASE SLABS MAY BE PRECAST OR CAST INSITU.
 - FOR PIPE CULVERT, INLET, OUTLET AND SOIL EROSION REFER TO DRAWING :21084-KMDD-CE-DRD-065

- LEGEND:
- EXISTING ROAD EDGES
 - PIPE LINE CENTERLINES
 - STORMWATER DRAINAGE
 - NATURAL WATER COURSE

COORDINATES

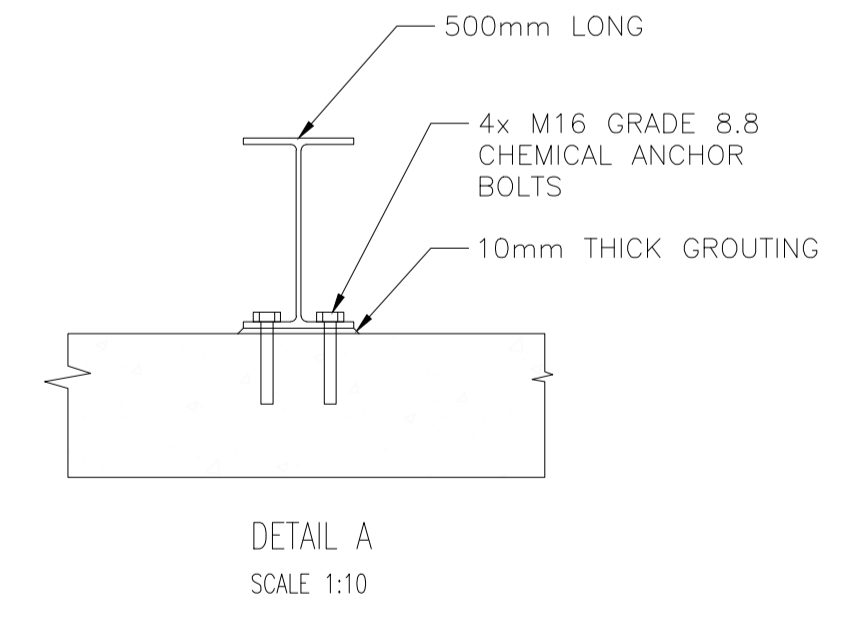
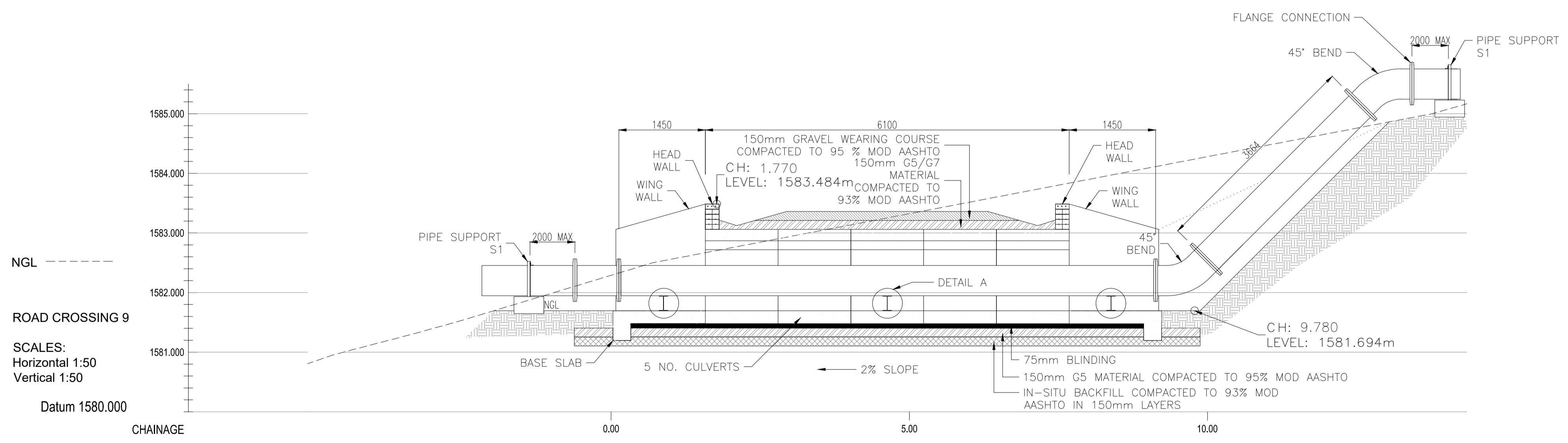
POINT	Y	X
CUL9a	-18 706.391	2 907 970.772
CUL9b	-18 708.384	2 907 971.434
CUL9c	-18 706.463	2 907 977.228
CUL9d	-18 704.469	2 907 976.566



Eskom logo and EPCM logo with contact information for EPCM Bonisana (Pty) Ltd.

KRIEL TO MATLA ASH TRANSFER LINK

PROJECT No.:	21084	PAGE SIZE:	A1
CLIENT DRAWING No.:	0.45/61021-071	REV	



REFERENCE DRAWINGS	No.	REVISION	CAD.	BY	CHK.	APP.	DATE	CLIENT APPROVAL
21084-KMDD-DAL-005								
21084-KMDD-CE-DRD-051-02								
21084-KMDD-CE-DRD-048-01								
21084-KMDD-CE-DRD-056								
21084-KMDD-CE-DRD-065								
DWG No.								

DISCIPLINE	SIGN	DATE	COMPANY APPROVAL
PROC. ENG.			
INSTR. ENG.			
ELECT. ENG.			
STRUC. ENG.			
CIVIL. ENG.			
MECH. ENG.			
PRÓJ. MAN.			
C.P.			
J.P.			
J.P.			
H.B.			
S.d.R.			
T.C.			
S.d.R.			

LOCATION:	KRIEL/MATLA POWER STATION, MPUMALANGA
SECTION:	CROSSING
TITLE:	ROAD CROSSING 9 PLAN AND SECTION DETAIL
DRAWING No.:	21084-KMDD-CE-DRD-057-09
REV	1