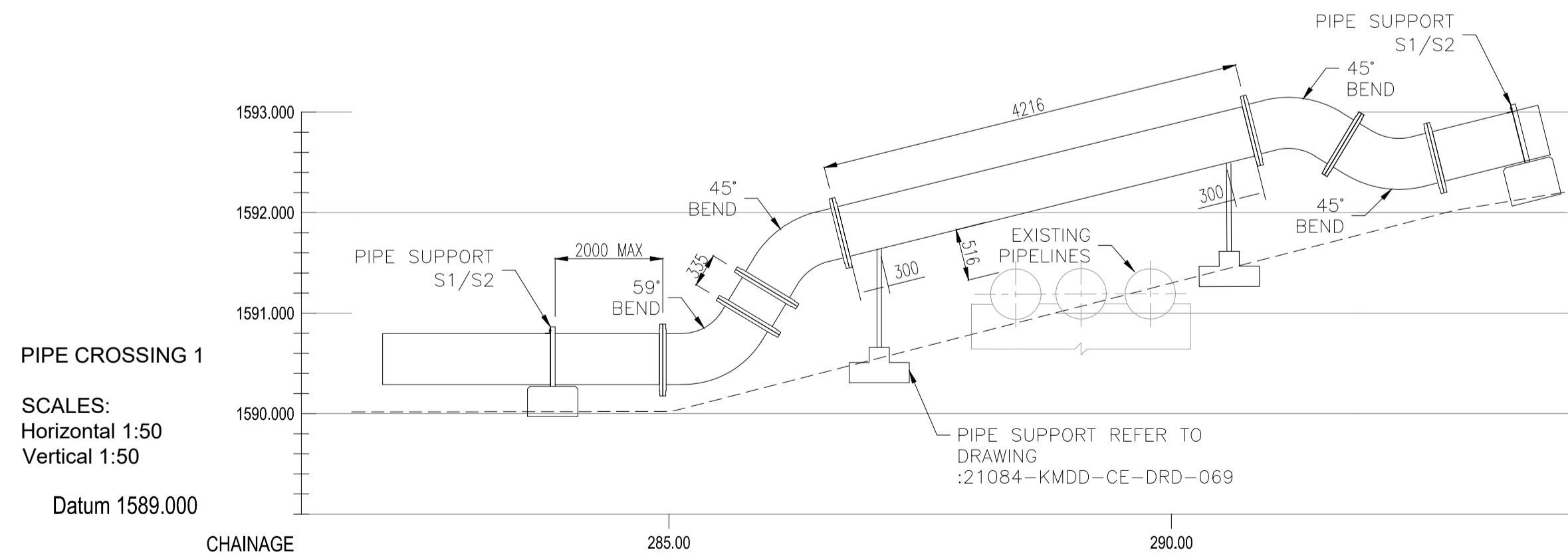




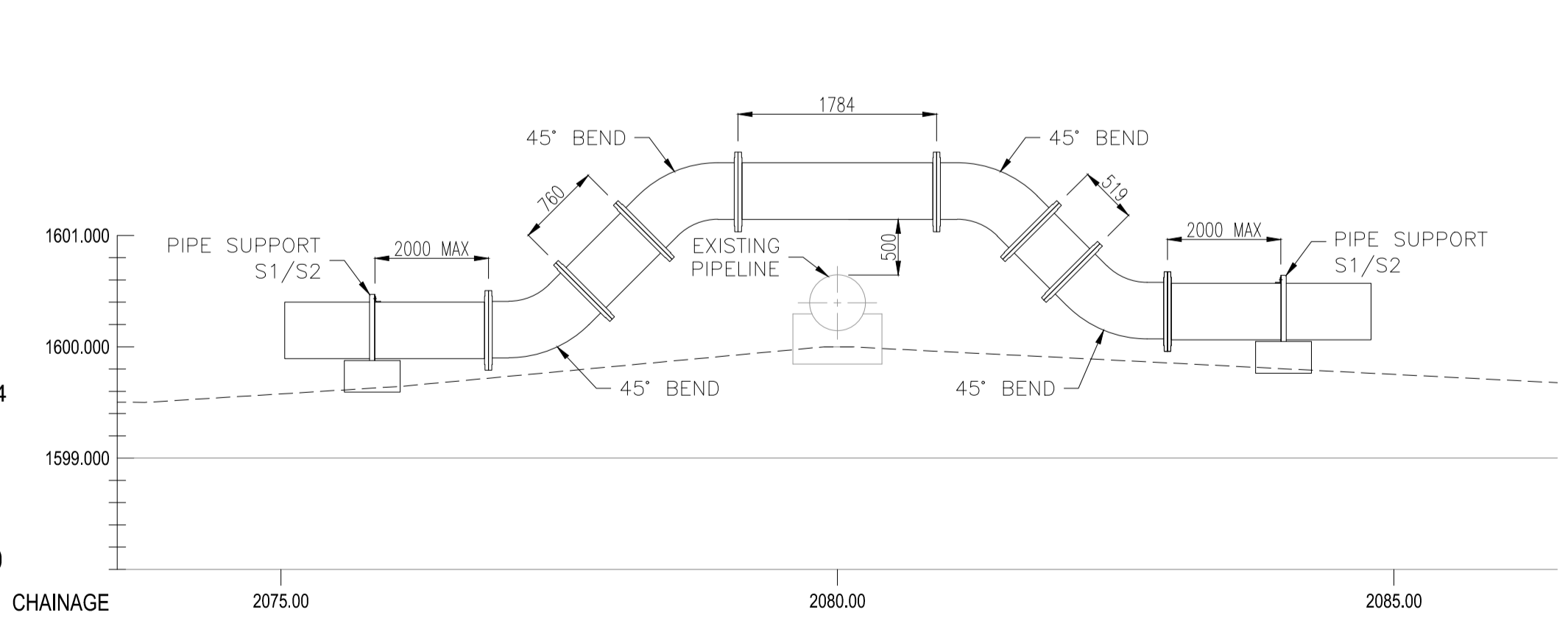
PIPE CROSSING: PC1 PLAN VIEW
CH 288 AWR ALIGNMENT
SCALE 1:50



PIPE CROSSING: PC4 PLAN VIEW
CH 2080 AWR ALIGNMENT
SCALE 1:50



PIPE CROSSING 1
SCALES:
Horizontal 1:50
Vertical 1:50



PIPE CROSSING 4
SCALES:
Horizontal 1:50
Vertical 1:50

EPCM BONISANA (PTY) LTD
THIS DRAWING TAKES INTO ACCOUNT THE PARTICULAR INSTRUCTIONS AND REQUIREMENTS OF OUR CLIENT.
IT IS NOT INTENDED FOR AND SHOULD NOT BE RELIED UPON BY ANY THIRD PARTY AND NO RESPONSIBILITY IS UNDERTAKEN TO ANY THIRD PARTY

- NOTES:
1. COORDINATE SYSTEM: WGS 84 TRANSVERSE MERCATOR, Lo 29, DATUM: HARTEBEESHOEK 94.
 2. REFER TO LONG SECTIONS FOR LOCATION OF CROSSINGS.
 3. PORTAL CULVERTS TO RUN PARALLEL TO PIPE ROUTE.
 4. ALL BENDS TO BE 30 LONG RADIUS BENDS.
 5. CROSSINGS TO BE INSTALLED NOT TO IMPEDE WITH NATURAL STORMWATER DRAINAGE OR APPROVED DIVERSIONS TO BE PROVIDED.

- LEGEND:
- EXISTING ROAD EDGES
 - == PIPE LINE CENTERLINES
 - ===== STORMWATER DRAINAGE
 - NATURAL WATER COURSE



epcm

APPROVED FOR CONSTRUCTION

Eskom | **epcm**

13 ESCORING WOOD
100
CENTRAL BANK OFFICES
CONTRIBUTION
DRAFT

TEL: (+27) 12 665 5885
FAX: (+27) 12 665 2241
EMAIL: info@epcm.co.za
WEB: www.epcm.co.za

KRIEL TO MATLA ASH
TRANSFER LINK

21084-KMDD-DAL-005	ROAD CROSSING LAYOUT								PROC. ENG.	C.P.	LOCATION: KRIEL/MATLA POWER STATION, MPUMALANGA
21084-KMDD-CE-DRD-031-04	AWR PIPELINE LONG SECTIONS 4/7								INSTR. ENG.	J.P.	SECTION: CROSSING
21084-KMDD-CE-DRD-069	PIPELINE CROSSING SUPPORT								STRUC. ENG.	H.B.	TITLE: PIPE CROSSING 1 AND 4 PLAN AND SECTION DETAIL
DWG No.	TITLE	1	ISSUED FOR CONSTRUCTION	M.M	D.J.	V.W.B.	S.d.R.	30.07.23	MECH. ENG.	T.C.	DRAWING No.
	REFERENCE DRAWINGS	No.	REVISION	CAD.	BY	CHK.	APP.	DATE	PRJ. MAN.	S.d.R.	21084-KMDD-CE-DRD-057-15
									DISCIPLINE	SIGN	REV
											1

PROJECT No.:	21084	PAGE SIZE:	A1
CLIENT DRAWING No.	0.45/61021-071		