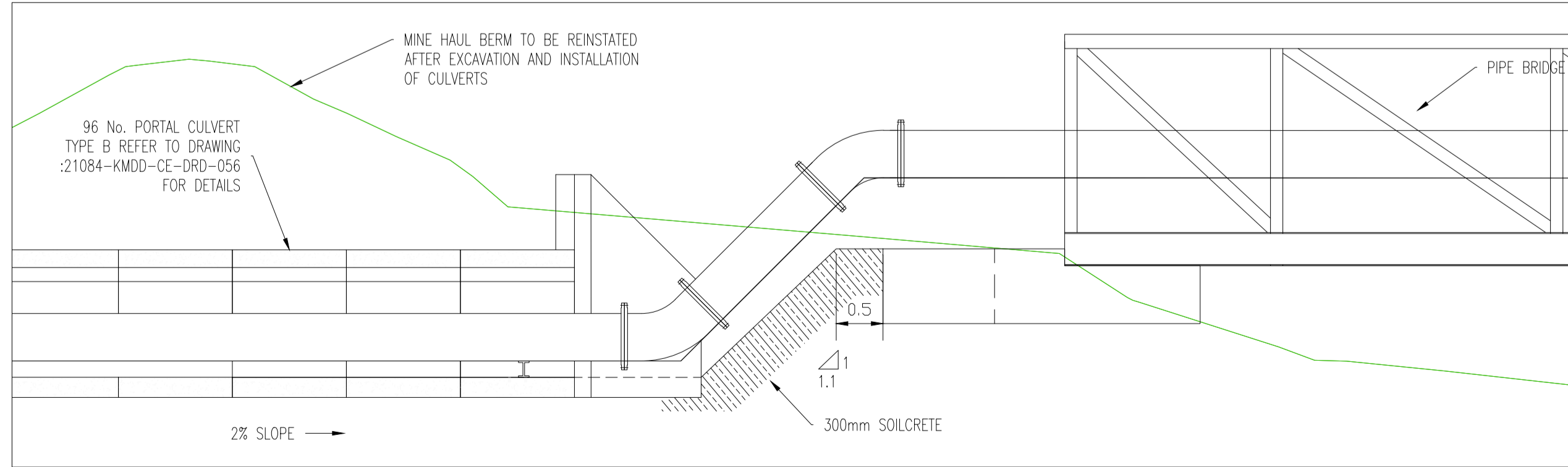
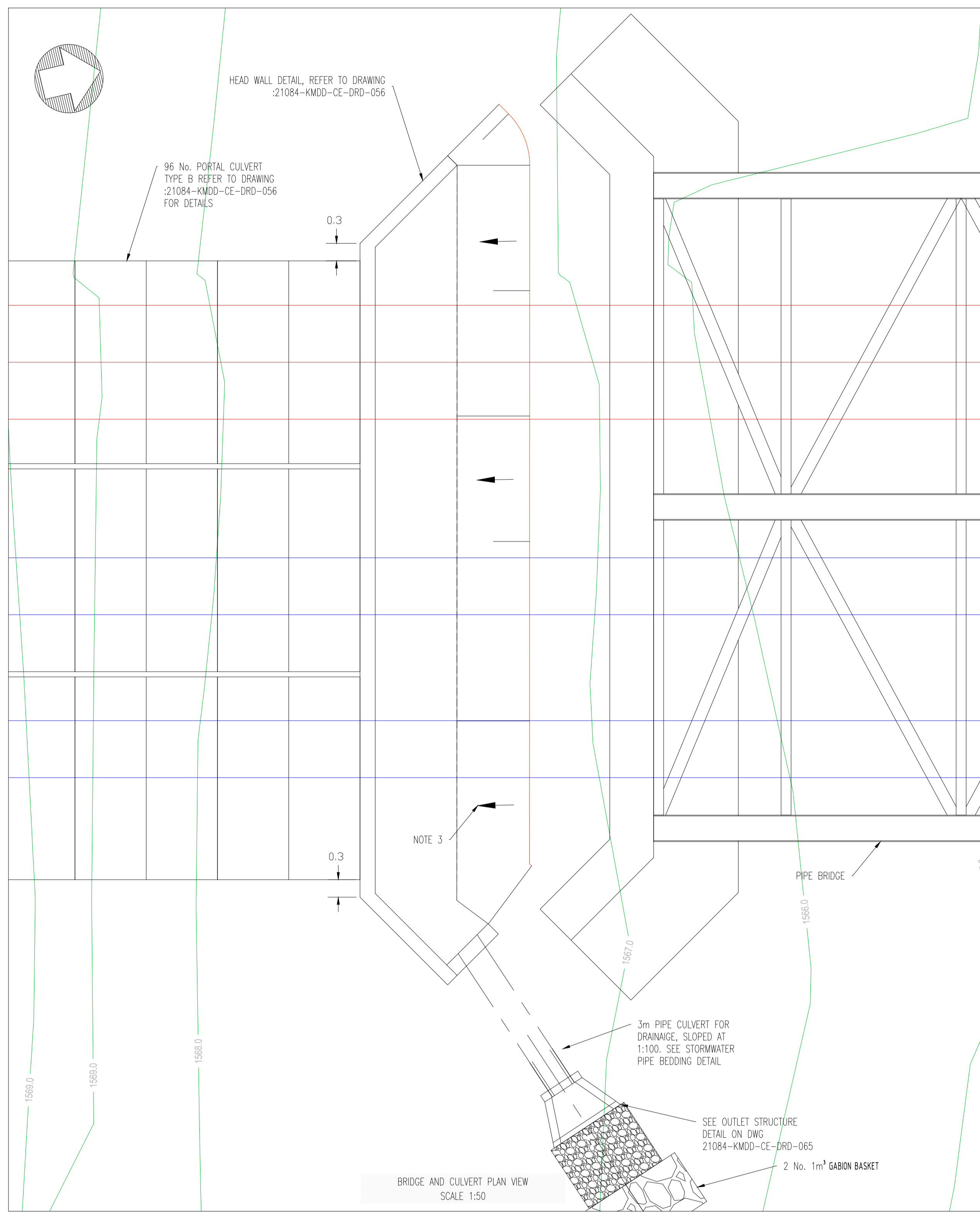
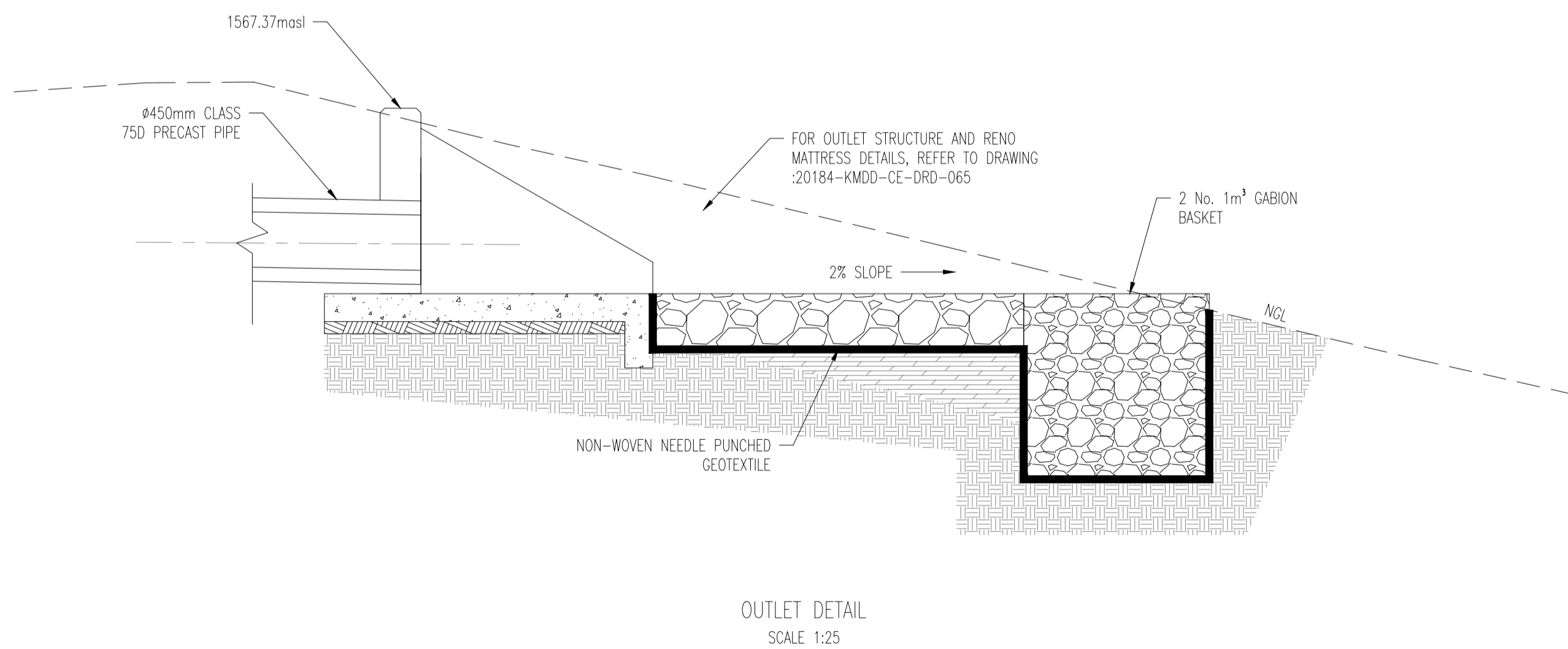
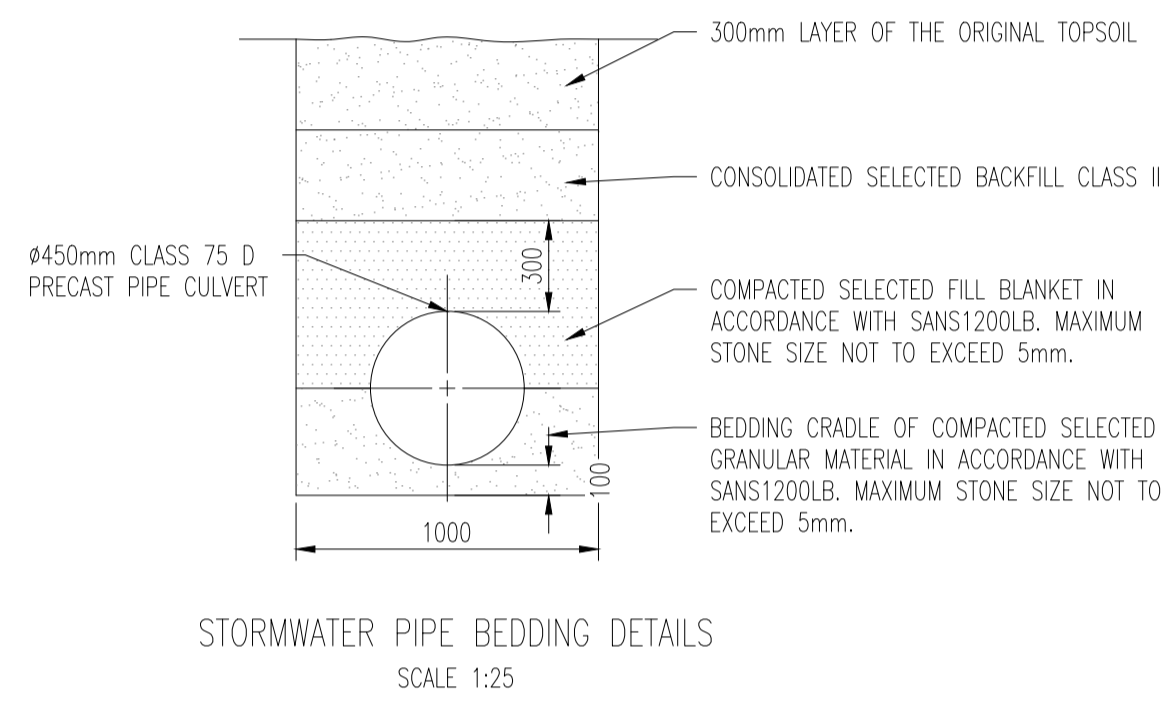




THIS DRAWING



EPCM BONISANA (PTY) LTD  
THIS DRAWING TAKES INTO ACCOUNT THE PARTICULAR INSTRUCTIONS AND REQUIREMENTS OF OUR CLIENT.  
IT IS NOT INTENDED FOR AND SHOULD NOT BE RELIED UPON BY ANY THIRD PARTY AND NO RESPONSIBILITY IS UNDERTAKEN TO ANY THIRD PARTY  
NOTES:  
1. COORDINATE SYSTEM: WGS 84 TRANSVERSE MERCATOR, Lo 29, DATUM: HARTBEESSHOEK 94.  
2. ALL DIMENSIONS IN METRES UNLESS OTHERWISE STATED.  
3. NATURAL GROUND LEVEL TO SLOPE AWAY FROM CULVERT OPENING. GROUND TO BE SHAPED TO AVOID LOCALISED PONDING.



**epcm**

**APPROVED FOR CONSTRUCTION**

LEGEND:  
AWR PIPELINE CENTRELINE  
SLURRY PIPELINE CENTRELINE  
NGL

Eskom logo and EPCM logo with contact information: EPCM BONISANA (PTY) LTD, 13 CHURCH ROAD, CENTRAL, JOHANNESBURG, SOUTH AFRICA. TEL: (+27) 12 546 1585, FAX: (+27) 12 546 2241, EMAIL: INFO@EPCMENGINEERING.COM, WEB: WWW.EPCMENGINEERING.COM

KRIEL TO MATLA ASH TRANSFER LINK

LOCATION: KRIEL/MATLA POWER STATION, MPUMALANGA

SECTION: MINE HAUL CROSSING

TITLE: BRIDGE AND CULVERT INTERACTION DETAIL

DRAWING No. 21084-KMDD-CE-DRD-068

PROJECT No.:	21084	PAGE SIZE:	A1
CLIENT DRAWING No.:	0.45/61021-022	REV	1

21084-KMDD-CE-DRD-025  
21084-KMDD-CE-DRD-056  
DWG No.

MINE HAUL CROSSING DETAILS  
CULVERT DETAILS

REFERENCE DRAWINGS

No.	ISSUED FOR CONSTRUCTION	MM	DJ	VWB	SdR	09.08.23
1	ISSUED FOR CONSTRUCTION	MM	DJ	VWB	SdR	09.08.23

NAME	SIGN	DATE

PROC. ENG.	C.P.
INST. ENG.	J.P.
ELECT. ENG.	J.P.
STRUC. ENG.	H.B.
CIVIL. ENG.	S.d.R.
MECH. ENG.	I.C.
PROJ. MAN.	S.d.R.

DISCIPLINE	SIGN	DATE

COMPANY APPROVAL	DATE